



US0D1033541S

(12) **United States Design Patent**  
**Peeters et al.**

(10) **Patent No.:** **US D1,033,541 S**  
(45) **Date of Patent:** **\*\* Jul. 2, 2024**

(54) **GAME BOARD AND GAME PIECES**

3/00694; A63F 2003/00268; A63F  
2003/00182; A63F 2003/00223; A63F  
(Continued)

(71) Applicant: **SMART, naamloze vennootschap,**  
Kontich (BE)

(72) Inventors: **Raf Peeters, Lier (BE); Leighton**  
**Meredith Lees, Cirencester (GB)**

(56) **References Cited**

**U.S. PATENT DOCUMENTS**

(\*\*) Term: **15 Years**

D148,354 S \* 1/1948 Herzog ..... D21/585  
2,521,394 A \* 9/1950 Minners ..... A47G 33/08  
40/538

(21) Appl. No.: **35/518,557**

(Continued)

(22) Filed: **Sep. 18, 2023**

**OTHER PUBLICATIONS**

(80) **Hague Agreement Data**

Int. Filing Date: **Sep. 18, 2023**  
Int. Reg. No.: **DM/231811**  
Int. Reg. Date: **Sep. 18, 2023**  
Int. Reg. Pub. Date: **Oct. 6, 2023**

SmartGames Five Little Birds Deduction Game, [https://www.amazon.com/SmartGames-Little-Birds-Wooden-Deduction/dp/B0CWC1KY5Q/ref=asc\\_df\\_B0CWC1KY5Q/](https://www.amazon.com/SmartGames-Little-Birds-Wooden-Deduction/dp/B0CWC1KY5Q/ref=asc_df_B0CWC1KY5Q/) (Year: 2024).\*

*Primary Examiner* — Susan Moon Lee

(51) **LOC (14) Cl.** ..... **21-01**

(52) **U.S. Cl.**

(57) **CLAIM**

USPC ..... **D21/337; D21/342; D21/360**

The ornamental design for a game board and game pieces, as shown and described.

(58) **Field of Classification Search**

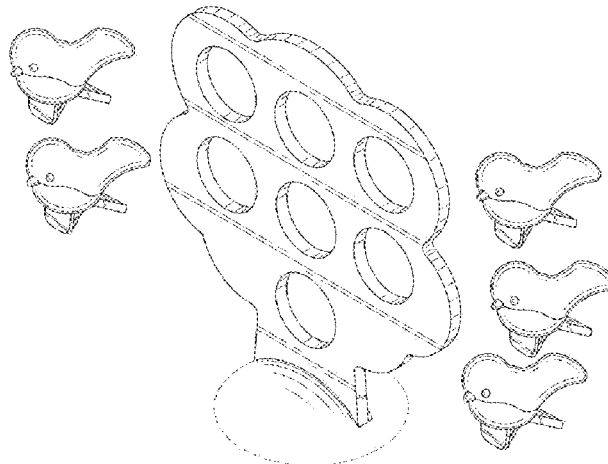
USPC ..... D21/334, 335–342, 355–360, 365, 318,  
D21/397, 351, 385, 386, 389, 404, 478,  
D21/479, 483–486, 489–491, 493, 494,  
D21/497, 499, 507, 510, 511, 561, 606,  
D21/609; 273/241, 242, 244–247, 259,  
273/275–277, 281, 282.1–282.3, 284,  
273/287, 317.3, 108.1, 108.5, 118 D,  
273/236–240, 283, 309, 441, 461;  
D6/406.1, 406.3, 406.4, 406.6; D19/86,  
D19/92, 95, 87, 113, 75, 77, 78, 80;  
108/14, 62, 43, 67; 434/416, 247, 248,  
434/251, 408, 413, 145, 430; D11/162  
CPC .... A63F 3/00; A63F 3/00003; A63F 3/00028;  
A63F 3/00041; A63F 3/00044; A63F  
3/00047; A63F 3/00173; A63F 3/00176;  
A63F 3/00214; A63F 3/00261; A63F  
3/00643; A63F 3/00646–00659; A63F  
3/04; A63F 3/00097; A63F 3/0434; A63F  
3/00148; A63F 3/00697; A63F 3/0023;  
A63F 3/00895; A63F 3/00574; A63F

**DESCRIPTION**

1. Game board and game pieces  
FIG. 1.1 is a front elevation view of a game board and game pieces in accordance with the present design;  
FIG. 1.2 is a back elevation view thereof;  
FIG. 1.3 is a top, right, front perspective view thereof;  
FIG. 1.4 is a top, left, back perspective view thereof;  
FIG. 1.5 is a bottom, right, back perspective view thereof;  
FIG. 1.6 is a front elevation view thereof;  
FIG. 1.7 is a back elevation view thereof;  
FIG. 1.8 is a right side elevation view thereof;  
FIG. 1.9 is a left side elevation view thereof;  
FIG. 1.10 is a top plan view thereof; and  
FIG. 1.11 is a bottom view thereof.

The characteristic features of the design lie in the shape of the game board and game pieces as shown and described.

(Continued)



The broken lines depict unclaimed features of the game board and game pieces, depicted for illustrative purposes only.

**1 Claim, 11 Drawing Sheets**

(58) **Field of Classification Search**

CPC ..... 2003/00457; A63F 2003/0046; A63F 2003/00463; A63F 2003/00466; A63F 2003/0047; A63F 2003/00485; A63F 2003/00492; A63F 2003/00507; A63F 2003/00514; A63F 2003/00533; A63F 2003/00552; A63F 2003/00558; A63F 2003/00943; A63F 2003/00946; A63F 2003/00952-00962; A63F 2003/00895; A63F 7/00; A63F 7/06; A63F 7/0612; A63F 7/0604; A63F 7/0616-0636; A63F 7/30; A63F 7/36; A63F 7/0005; A63F 7/0017; A63F 7/0023; A63F 2007/0035; A63F 2007/367; A63F 2007/3674; A63F 9/00; A63F 9/08; A63F 9/001; A63F 9/0826; A63F 9/0073; A63F 9/0078; A63F 9/0602; A63F 9/0613; A63F 9/12-1208; A63F 9/1288; A63F 2009/0012; A63F 2009/1212-1228; A63F 2009/1292; A63F 2009/1296

See application file for complete search history.

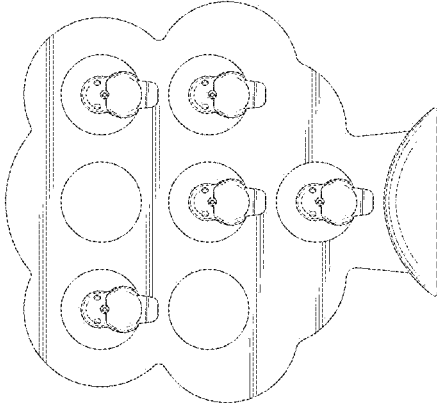
(56)

**References Cited**

U.S. PATENT DOCUMENTS

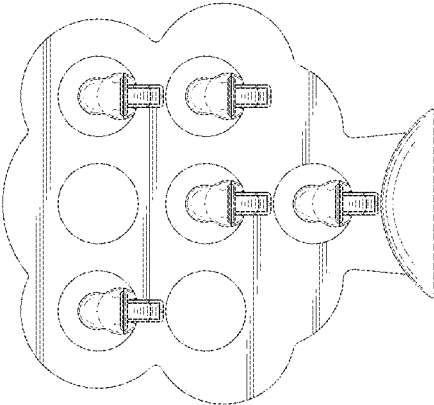
2,903,819	A	*	9/1959	Barber .....	A63H 9/00 D11/158
D195,009	S	*	4/1963	Bergeron .....	D11/162
D259,163	S	*	5/1981	Leard .....	D6/302
D273,312	S	*	4/1984	Guertin .....	D6/306
D276,055	S	*	10/1984	Guertin .....	D6/306
D276,447	S	*	11/1984	Escamilla-Kelly .....	D21/337
D420,811	S	*	2/2000	Spiegel .....	D6/306
D421,847	S	*	3/2000	Spiegel .....	D6/306
D442,804	S	*	5/2001	Parks .....	D11/139
D444,507	S	*	7/2001	Lundberg .....	D21/337
D605,708	S	*	12/2009	Chapman .....	D21/337
D634,794	S	*	3/2011	Rappaport-Rowan .....	D21/606
D647,577	S	*	10/2011	Rappaport-Rowan .....	D21/606
D663,475	S	*	7/2012	Browder .....	D26/125
D713,155	S	*	9/2014	Fugere .....	D6/302
D729,526	S	*	5/2015	Klatt .....	D6/306
D735,604	S	*	8/2015	Archambault .....	D11/162
D864,313	S	*	10/2019	Weisman .....	D21/608
11,191,356	B2	*	12/2021	Chilcott .....	A47F 7/0071
D939,901	S	*	1/2022	Chilcott .....	D7/628
D960,249	S	*	8/2022	Peeters .....	D21/341
D996,691	S	*	8/2023	Li .....	D26/106
D1,022,549	S	*	4/2024	Thornton .....	D6/674.1

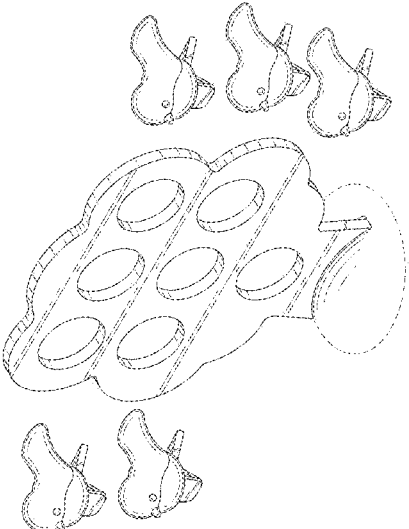
\* cited by examiner



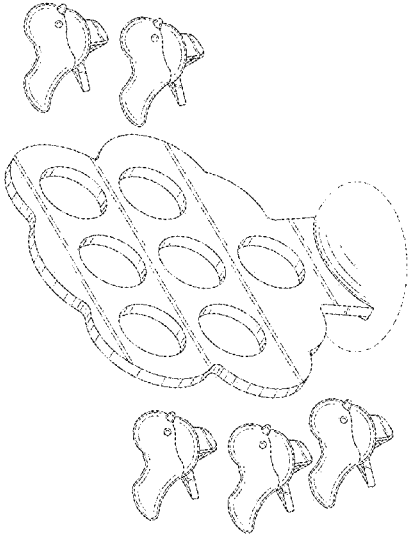
1.1

1.2



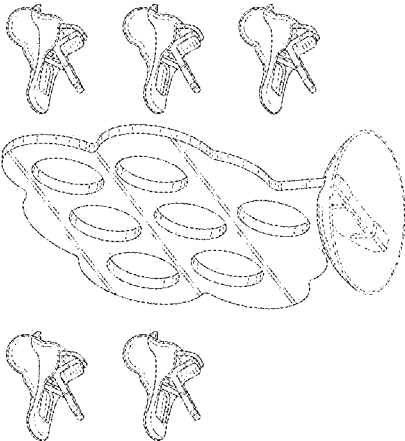


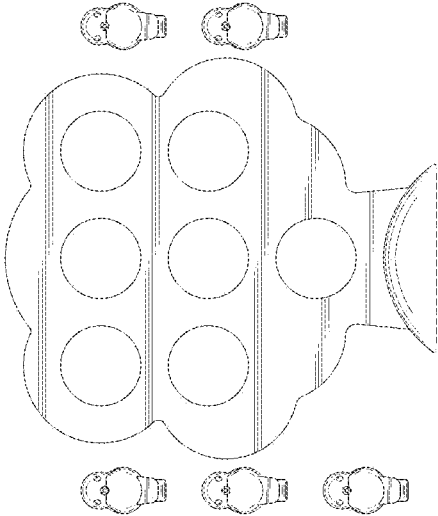
1.3



1.4

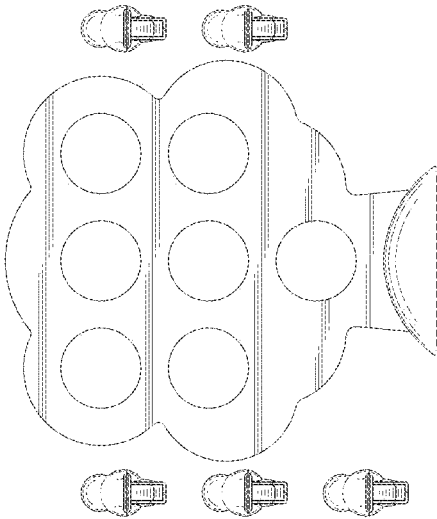
1.5



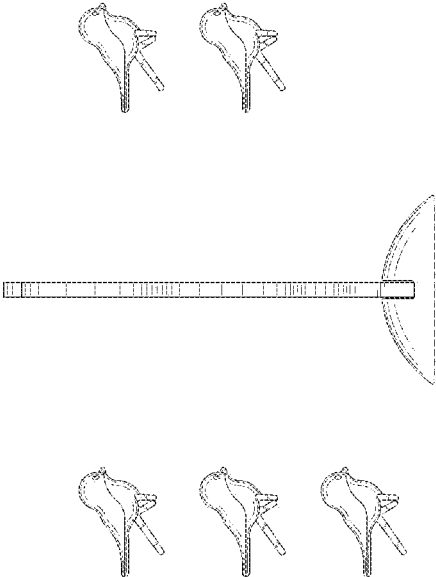


1.6

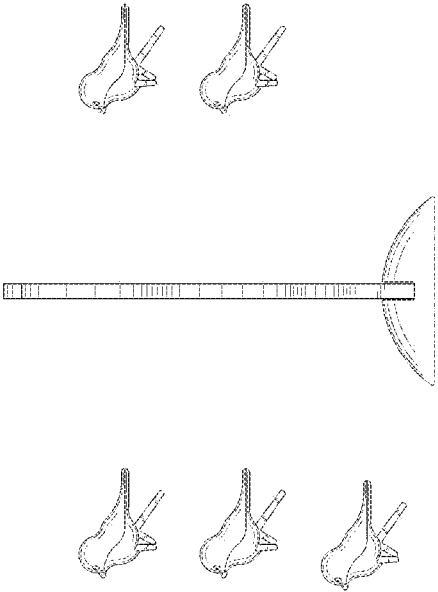




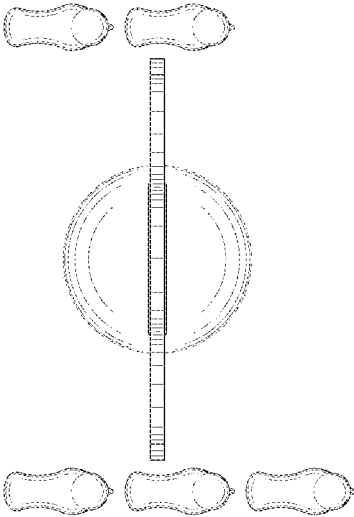
1.7



1.8



1.9



1.10

1.11

